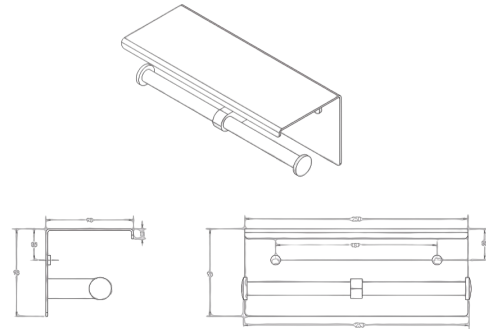


## ML269\_TRH\_DESIGNER

Double Toilet Roll Holder with Shelf Top in Designer Black

Dimensions: 98mmH x 253mmW x 98mmD



### SPECIFICATION

Material	#304 Grade Stainless Steel 1.5mm Thick Shelf
Finish	Designer Black
Mounting	Surface Mount Visible Fix
Features	Multifunctional Unit with Shelf Top Upper Shelf can hold a Mobile Phone or Bag whilst Lower Holder is for the Toilet Paper Roll Seamless Welds and Rolled Edges
Capacity	Holds Two Standard Toilet Rolls



This unit is accessible compliant when installed in accordance with AS1428.1. guidelines.



For more in depth information, visit the product online: [https://metlam.com.au/category/toilet-roll-dispensers/ML269\\_TRH\\_DESIGNER](https://metlam.com.au/category/toilet-roll-dispensers/ML269_TRH_DESIGNER)